

INTRIGUE™ Exam Room Collection

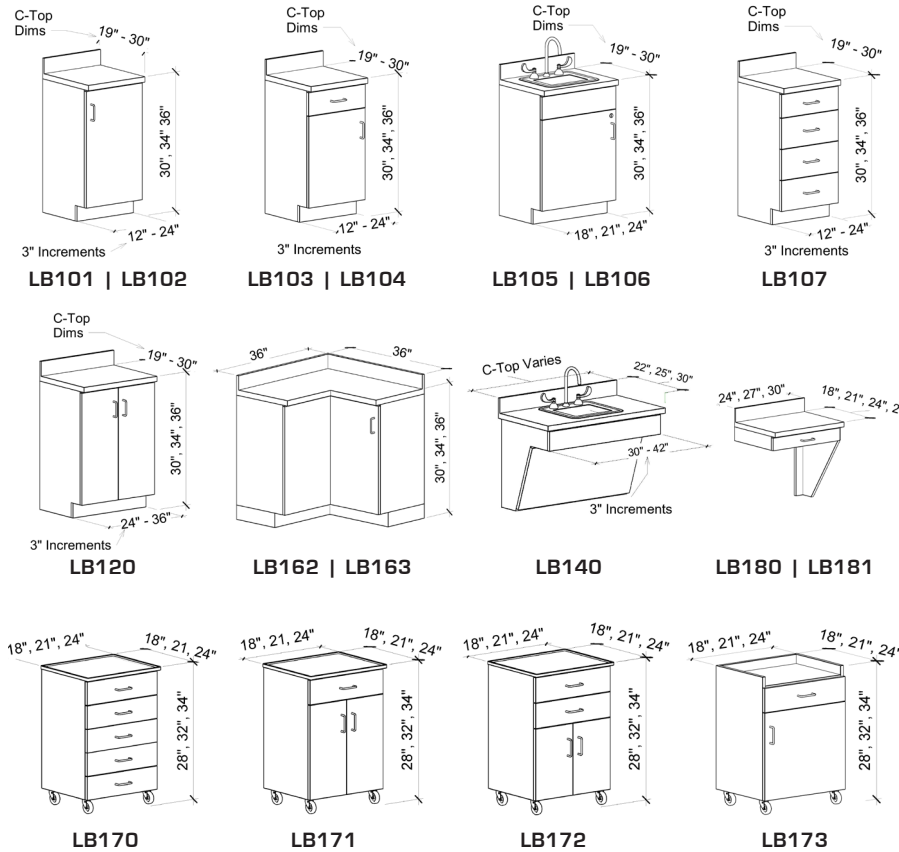
Let our Design Team work with you to create the perfect workspace.



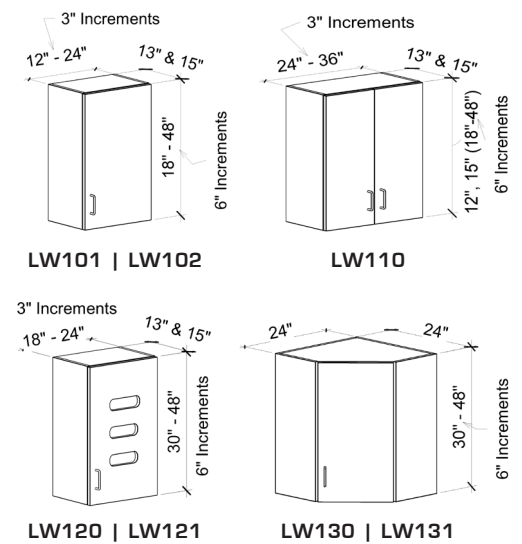
STANDARD FEATURES

- Modular Thermal Fused Laminate (TFL) with dowel and glue construction
- Postform non-drip countertop, sink and faucet included
- 4" satin finish wire pulls included
- Self-closing drawer slides and 3-way 110° Euro hinges
- Neutral white TFL interiors
- All cabinets have (1-2) adjustable shelves based on size (except sink units)

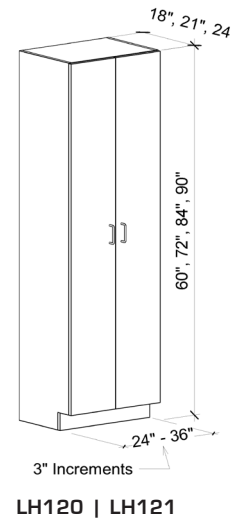
BASE CABINETS



WALL CABINETS



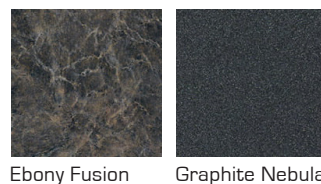
WARDROBE



TFL CABINET COLORS



COUNTERTOP COLORS



Additional colors are available upon request.

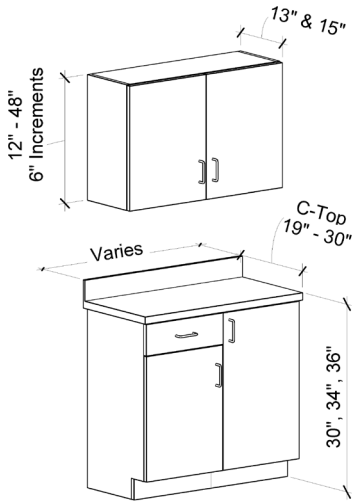
Other door | drawer combinations and cabinet sizes are available upon request. Call toll free for more information: 877-302-7755.

See back side for typical groupings.

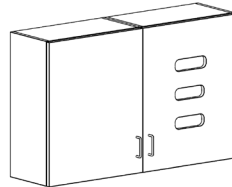
INTRIGUE™ Exam Room Collection

TYPICAL GROUPINGS

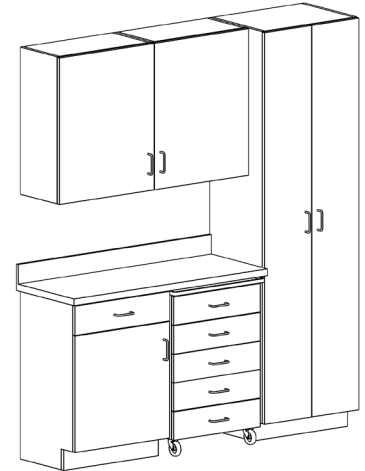
Refer to customer service for further clarification on dimensions.



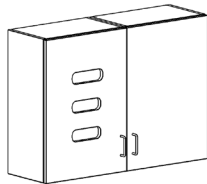
GROUP A



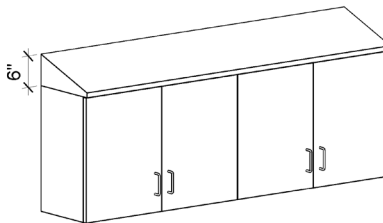
GROUP B



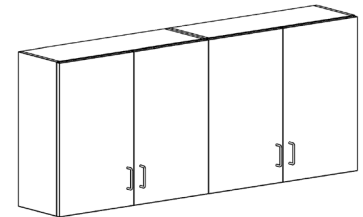
GROUP C



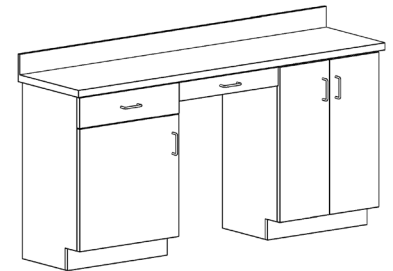
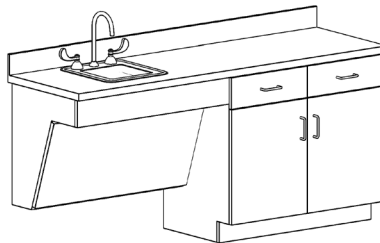
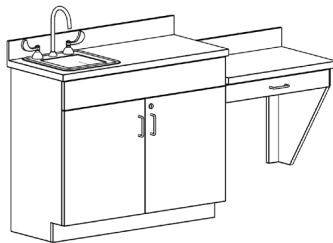
GROUP D



GROUP E



GROUP F



If single door cabinet, you must specify door hinge "R" (Right) or "L" (Left). Visit our website at www.cooperworksind.com to see a complete list of our product offerings and download our full catalog, or call us toll free at 877-302-7755.