

INTEGRATE™ Exam Room Collection

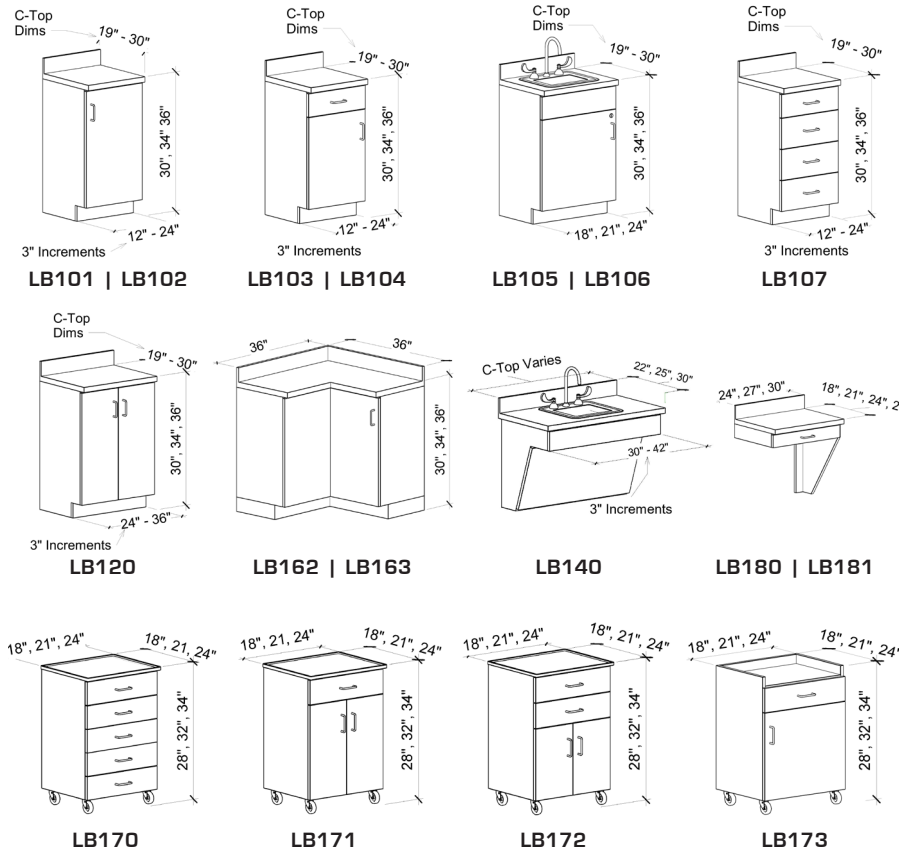
Let our Design Team work with you to create the perfect workspace.



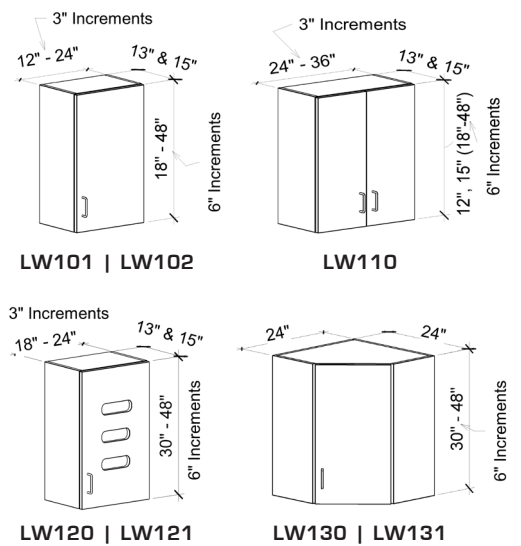
STANDARD FEATURES

- High Pressure Laminate (HPL) with dowel and glue construction
- Postform non-drip countertop, sink and faucet included
- 4" satin finish wire pulls included
- Self-closing drawer slides and 3-way 110° Euro hinges
- Neutral white TFL interiors
- All cabinets have (1-2) adjustable shelves based on size (except sink units)

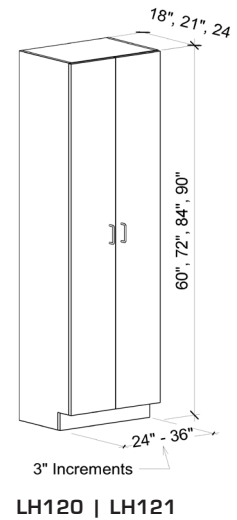
BASE CABINETS



WALL CABINETS



WARDROBE

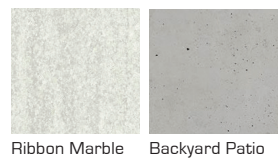


STANDARD (HPL) CABINET COLORS



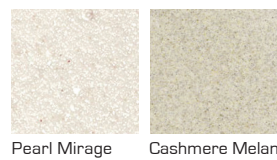
Field Elm River Cherry

STANDARD LAMINATE COUNTERTOP COLORS



Ribbon Marble Backyard Patio

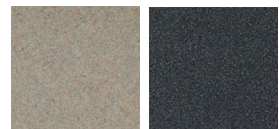
(UPGRADE) SOLID SURFACE COUNTERTOP COLORS



Pearl Mirage Cashmere Melange



Portico Teak Skyline Walnut



Bronze Legacy Graphite Nebula



Zen Grey Iron Falls (Premium)

Additional colors are available upon request.

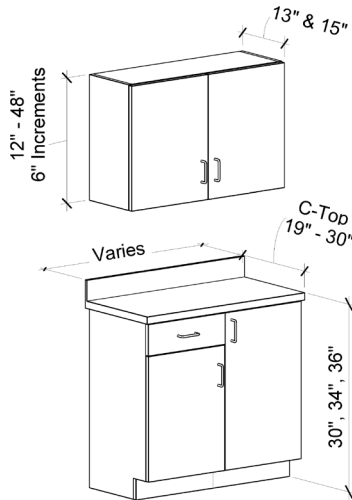
Other door | drawer combinations and cabinet sizes are available upon request. Call toll free for more information: 877-302-7755.

See back side for typical groupings.

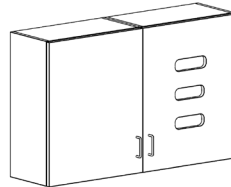
INTEGRATE™ Exam Room Collection

TYPICAL GROUPINGS

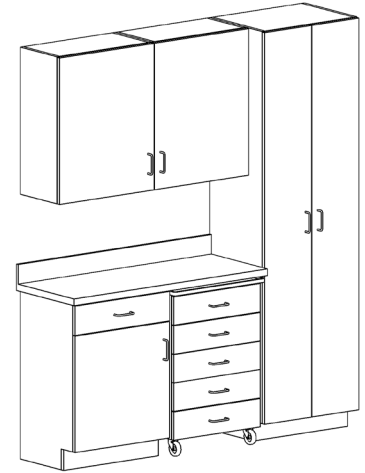
Refer to customer service for further clarification on dimensions.



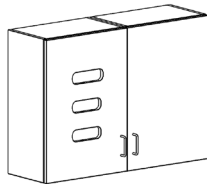
GROUP A



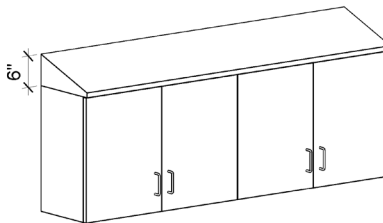
GROUP B



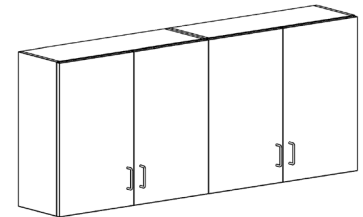
GROUP C



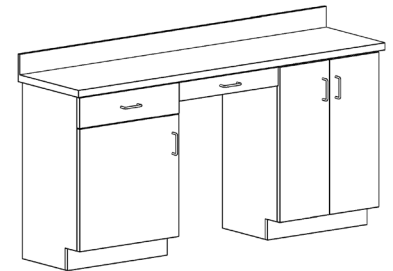
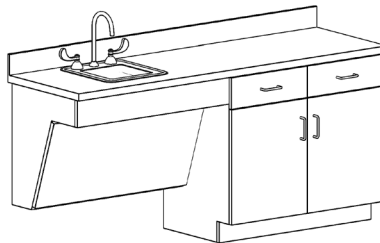
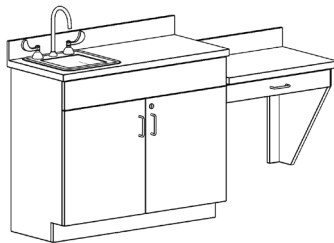
GROUP D



GROUP E



GROUP F



If single door cabinet, you must specify door hinge "R" (Right) or "L" (Left). Visit our website at www.cooperworksind.com to see a complete list of our product offerings and download our full catalog, or call us toll free at 877-302-7755.